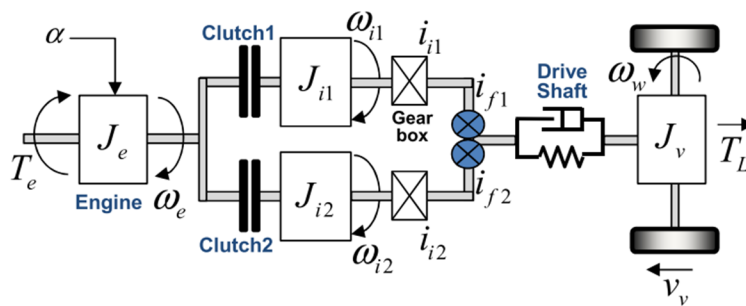


PUBLICATIONS CONTENT DIGEST



CSS Publications Activities

Vice-President

IOANNIS PASCHALIDIS *Boston University*

<http://ieeecss.org/publications>

Journal Editors

IEEE Transactions on Automatic Control

ALESSANDRO ASTOLFI *Imperial College London and University of Rome "Tor Vergata"*

<http://ieeecss.org/publication/transactions-automatic-control>

IEEE Transactions on Control Systems Technology

ANDREA SERRANI *Ohio State University*

<http://ieeecss.org/publication/transactions-control-systems-technology>

IEEE Transactions on Control of Network Systems

JEFF SHAMMA *University of Illinois at Urbana-Champaign*

ANNA SCAGLIONE Deputy Editor-in-Chief *Arizona State University*

<http://ieeecss.org/publication/transactions-control-network-systems>

IEEE Control Systems Letters

MARIA ELENA VALCHER *University of Padua*

<http://ieeecss.org/publication/control-systems-letters>

IEEE Control Systems Magazine

RODOLPHE SEPULCHRE *University of Cambridge*

<http://ieeecss.org/publication/ieee-control-systems-magazine>

IEEE Open Journal of Control Systems

SONIA MARTINEZ *University of California, San Diego*

<http://ieeecss.org/publication/open-journal-control-systems>

Electronics Editors

CSS State-Space Forum

FABIO PASQUALETTI *University of California, Riverside*

ANKUSH CHAKRABARTY *Mitsubishi Electric Research Laboratories*

<https://state-space.ieeecss.org>

***Submission and editorial instructions can be found on each publication's homepage**

IEEE TRANSACTIONS ON AUTOMATIC CONTROL

A PUBLICATION OF THE IEEE CONTROL SYSTEMS SOCIETY



NOVEMBER 2022

VOLUME 67

NUMBER 11

IETAA9

(ISSN 0018-9286)

REGULAR PAPERS

A Decentralized Primal-Dual Method for Constrained Minimization of a Strongly Convex Function	<i>E. Y. Hamedani and N. S. Aybat</i>	5682
Formal Safety Net Control Using Backward Reachability Analysis	<i>B. Schürmann, M. Klischat, N. Kochdumper, and M. Althoff</i>	5698
Boundary Stability Criterion for a Nonlinear Axially Moving Beam	<i>Y. Cheng, Y. Wu, and B.-Z. Guo</i>	5714
Exact Detectability of Discrete-Time and Continuous-Time Linear Stochastic Systems: A Unified Approach	<i>V. Drăgan, E. F. Costa, I.-L. Popa, and S. Aberkane</i>	5730
Topology Learning of Linear Dynamical Systems With Latent Nodes Using Matrix Decomposition	<i>M. S. Veedu, H. Doddi, and M. V. Salapaka</i>	5746
A Distributionally Robust Optimization Based Method for Stochastic Model Predictive Control	<i>B. Li, Y. Tan, A.-G. Wu, and G.-R. Duan</i>	5762
Limiting Behavior of Hybrid Time-Varying Systems	<i>T.-C. Lee, Y. Tan, and I. Mareels</i>	5777
Ex-Ante Agent Transformation of Bayesian Games	<i>Y. Wu, S. Le, K. Zhang, and X.-M. Sun</i>	5793
On the Complexity of Sequential Incentive Design	<i>Y. Savas, V. Gupta, and U. Topcu</i>	5809
The Covariance Extension Equation: A Riccati-Type Approach to Analytic Interpolation	<i>Y. Cui and A. Lindquist</i>	5825
Integral-Input-to-State Stability of Switched Nonlinear Systems Under Slow Switching	<i>S. Liu, A. Russo, D. Liberzon, and A. Cavallo</i>	5841
Controller Reduction for Nonlinear Systems by Generalized Differential Balancing	<i>Y. Kawano</i>	5856
System Monotonicity and Subspace Tracking: A Geometric Perspective of the Frisch-Shapiro Scheme	<i>D. Zhao, S. Z. Khong, and L. Qiu</i>	5872
Stochastic MPC With Dynamic Feedback Gain Selection and Discounted Probabilistic Constraints	<i>S. Yan, P. J. Goulart, and M. Cannon</i>	5885
A Sharp Estimate on the Transient Time of Distributed Stochastic Gradient Descent	<i>S. Pu, A. Olshevsky, and I. Ch. Paschalidis</i>	5900
Homogeneity, Forward Completeness, and Global Stabilization of a Family of Time-Delay Nonlinear Systems by Memoryless Non-Lipschitz Continuous Feedback	<i>C. Zhao and W. Lin</i>	5916
Sufficient and Necessary Graphical Conditions for MISO Identification in Networks With Observational Data	<i>S. Jahandari and D. Materassi</i>	5932
Q-Learning With Uniformly Bounded Variance	<i>A. M. Devraj and S. P. Meyn</i>	5948
On Self-Learning Mechanism for the Output Regulation of Second-Order Affine Nonlinear Systems	<i>H. Wu, D. Xu, and B. Jayawardhana</i>	5964

(Contents Continued on Page 5681)



Linear Reduced-Order Model Predictive Control	<i>J. Lorenzetti, A. McClellan, C. Farhat, and M. Pavone</i>	5980
On the Convergence of Overlapping Schwarz Decomposition for Nonlinear Optimal Control	<i>S. Na, S. Shin, M. Anitescu, and V. M. Zavala</i>	5996
Robust Control Performance for Open Quantum Systems	<i>S. G. Schirmer, F. C. Langbein, C. A. Weidner, and E. Jonckheere</i>	6012
Distributed Average Tracking With Incomplete Measurement Under a Weight-Unbalanced Digraph	<i>A. Sen, S. R. Sahoo, and M. Kothari</i>	6025

TECHNICAL NOTES

An Adaptive Continuous-Time Algorithm for Nonsmooth Convex Resource Allocation Optimization	<i>W. Jia, N. Liu, and S. Qin</i>	6038
Tractable Calculation and Estimation of the Optimal Weighting Matrix for ALS Problems	<i>T. J. Arnold and J. B. Rawlings</i>	6045
When is a Matrix of Dimension Three Similar to a Metzler Matrix? Application to Interval Observer Design	<i>F. Mazenc and O. Bernard</i>	6053
A Reconfiguration-Based Fault-Tolerant Control Method for Nonlinear Uncertain Systems	<i>Y. Tu, D. Wang, S. X. Ding, F. Fu, and W. Li</i>	6060
A Continuous Multivariable Finite-Time Control Scheme for Double Integrator Systems With Bounded Control Input	<i>B. Tian, Z. Li, and Q. Zong</i>	6068
On Observability of Hybrid Systems	<i>F. Lin, L. Y. Wang, W. Chen, and M. P. Polis</i>	6074
Worst-Case Stealthy Innovation-Based Linear Attacks on Remote State Estimation Under Kullback–Leibler Divergence	<i>J. Shang, H. Yu, and T. Chen</i>	6082
A Sensitivity-Based Data Augmentation Framework for Model Predictive Control Policy Approximation	<i>D. Krishnamoorthy</i>	6090
Group Consensus of Linear Multiagent Systems Under Nonnegative Directed Graphs	<i>Z. Liu and W. S. Wong</i>	6098
An Asynchronous Gradient Descent Based Method for Distributed Resource Allocation With Bounded Variables	<i>Y. Wang, Q. Zhao, and X. Wang</i>	6106
A Scaling-Function Approach for Distributed Constrained Optimization in Unbalanced Multiagent Networks	<i>F. Chen, J. Jin, L. Xiang, and W. Ren</i>	6112
A Semiglobal Approach for Stabilizing Nonlinear Systems With State Delays by Memoryless Linear Feedback	<i>Y. Wang and W. Lin</i>	6119
Zonotopic Set-Membership State Estimation for Switched Systems With Restricted Switching	<i>Z. Fei, L. Yang, X.-M. Sun, and S. Ren</i>	6127
Event-Based Finite-Time Control for High-Order Interconnected Nonlinear Systems With Asymmetric Output Constraints	<i>C.-C. Hua, Q.-D. Li, and K. Li</i>	6135
Finite-Dimensional Observer-Based PI Regulation Control of a Reaction–Diffusion Equation	<i>H. Lhachemi and C. Prieur</i>	6143
Time-Varying Quadratic-Programming-Based Error Redefinition Neural Network Control and Its Application to Mobile Redundant Manipulators	<i>L. Zheng and Z. Zhang</i>	6151
Adaptive Prescribed-Time Control for a Class of Uncertain Nonlinear Systems	<i>C. Hua, P. Ning, and K. Li</i>	6159
Robust Static Output-Feedback Control of Stochastic Continuous Time-Delayed Systems	<i>E. Gershon and U. Shaked</i>	6167
Adaptive Tracking and Stabilization of Nonholonomic Mobile Robots With Input Saturation	<i>J.-W. Li</i>	6173
A Novel Fixed-Time Protocol for First-Order Consensus Tracking With Disturbance Rejection	<i>Y. Xu, Z. Yao, R. Lu, and B. K. Ghosh</i>	6180
Fully Heterogeneous Containment Control of a Network of Leader–Follower Systems	<i>M. Mazouchi, F. Tatari, B. Kiumarsi, and H. Modares</i>	6187
Distributed Nash Equilibrium Seeking for Games in Second-Order Systems Without Velocity Measurement	<i>M. Ye, J. Yin, and Le Yin</i>	6195
Sliding Mode Control for Linear Impulsive Systems With Matched Disturbances	<i>X. Li and Y. Zhao</i>	6203
On the Role of Interconnection Directionality in the Quadratic Performance of Double-Integrator Networks	<i>H. G. Oral, E. Mallada, and D. Gayme</i>	6211
Fast Desynchronization Algorithms for Decentralized Medium Access Control Based on Iterative Linear Equation Solvers	<i>D. Silvestre, J. Hespanha, and C. Silvestre</i>	6219

An Informativity Approach to the Data-Driven Algebraic Regulator Problem	<i>H. L. Trentelman, H. J. van Waarde, and M. K. Camlibel</i>	6227
Robust Stability Analysis of Linear Parameter-Varying Systems With Markov Jumps	<i>A. N. Vargas, C. M. Agulhari, R. C. L. F. Oliveira, and V. M. Preciado</i>	6234
Quotients of Probabilistic Boolean Networks	<i>R. Li, Q. Zhang, and T. Chu</i>	6240
Observability Criteria for Boolean Networks	<i>Y. Yu, M. Meng, J.-e Feng, and G. Chen</i>	6248
Consensusability Margin Optimization for Second-Order Multiagent Systems With Communication Uncertainties	<i>L. Rong</i>	6255
Distributed Model Predictive Control With Reconfigurable Terminal Ingredients for Reference Tracking	<i>A. Aboudonia, A. Eichler, F. Cordiano, G. Banjac, and J. Lygeros</i>	6263
A Lyapunov Approach to Robust Cooperative Output Regulation of Multiagent Systems Under Infinite Communication Delays	<i>Q. Zhou, X. Xu, L. Liu, and G. Feng</i>	6271
Regulation of Markov Jump Linear Systems Subject to Polytopic Uncertainties	<i>J. N. A. D. Bueno, L. B. Marcos, K. D. T. Rocha, and M. H. Terra</i>	6279
Optimal Transport for a Class of Linear Quadratic Differential Games	<i>D. O. Adu, T. Başar, and B. Ghahsifard</i>	6287
A Reconnaissance Penetration Game With Territorial-Constrained Defender	<i>L. Liang, F. Deng, J. Wang, M. Lu, and J. Chen</i>	6295
Decentralized Cohesive Response During Transitions for Higher-Order Agents Under Network Delays	<i>A. Tiwari and S. Devasia</i>	6303
Distributed Antiwindup Consensus Control of Heterogeneous Multiagent Systems Over Markovian Randomly Switching Topologies	<i>J. Wang, G. Wen, and Z. Duan</i>	6310

IEEE TRANSACTIONS ON CONTROL SYSTEMS TECHNOLOGY



A PUBLICATION OF THE IEEE CONTROL SYSTEMS SOCIETY

NOVEMBER 2022

VOLUME 30

NUMBER 6

IETTE2

(ISSN 1063-6536)

REGULAR PAPERS

Real-Time Torque Estimation of Automotive Powertrain With Dual-Clutch Transmissions	<i>J. Kim</i>	2269
Incremental Model Predictive Control Exploiting Time-Delay Estimation for a Robot Manipulator	<i>Y. Wang, M. Leibold, J. Lee, W. Ye, J. Xie, and M. Buss</i>	2285
An Active Perception Framework for Autonomous Underwater Vehicle Navigation Under Sensor Constraints	<i>D. Chang, M. Johnson-Roberson, and J. Sun</i>	2301
Two-Facet Scalable Cooperative Optimization of Multi-Agent Systems in the Networked Environment	<i>X. Huo and M. Liu</i>	2317
A Time-Optimal Trajectory Planning Strategy for an Aircraft With a Suspended Payload via Optimization and Learning Approaches	<i>H. Hua, Y. Fang, X. Zhang, and C. Qian</i>	2333
Hierarchical Model Predictive Control for On-Line High-Speed Railway Delay Management and Train Control in a Dynamic Operations Environment	<i>Y. Wang, S. Zhu, S. Li, L. Yang, and B. De Schutter</i>	2344
Optimal Dynamic Transmission Scheduling for Wireless Networked Control Systems	<i>Y. Ma, J. Guo, Y. Wang, A. Chakrabarty, H. Ahn, P. Orlik, X. Guan, and C. Lu</i>	2360
Energy-Optimal Control for Autonomous Underwater Vehicles Using Economic Model Predictive Control	<i>N. Yang, D. Chang, M. Johnson-Roberson, and J. Sun</i>	2377
Enabling DER Participation in Frequency Regulation Markets	<i>P. Srivastava, C.-Y. Chang, and J. Cortés</i>	2391
Density-Based Stochastic Reachability Computation for Occupancy Prediction in Automated Driving	<i>S. Haddad, A. Halder, and B. Singh</i>	2406
Multi-Module Decision Fusion in Operational Status Monitoring	<i>S. Tan, F. Gao, H. Shi, H. Yan, and Z. Mu</i>	2420
Next-Cycle Optimal Dilute Combustion Control via Online Learning of Cycle-to-Cycle Variability Using Kernel Density Estimators	<i>B. P. Maldonado, B. C. Kaul, C. D. Schuman, S. R. Young, and J. P. Mitchell</i>	2433
Design for Real-Time Nonlinear Model Predictive Control With Application to Collision Imminent Steering	<i>J. Wurts, J. L. Stein, and T. Ersal</i>	2450

(Contents Continued on Back Cover)



Control-Oriented Physics-Based Modeling and Observer Design for State-of-Charge Estimation of Lithium-Ion Cells for High Current Applications	A. Nath, R. Mehta, R. Gupta, S. S. Bahga, A. Gupta, and S. Bhasin	2466
Decentralized Electromagnetic Formation Flight Using Alternating Magnetic Field Forces	Z. Abbasi, J. B. Hoagg, and T. M. Seigler	2480
Optimal Secondary Frequency Regulation With ON-OFF Loads in Power Networks	A. Kasis, S. Timotheou, and M. Polycarpou	2490
Delay-Adaptive Control of a 7-DOF Robot Manipulator: Design and Experiments	A. Bertino, P. Naseradinmousavi, and M. Krstić	2506
Scenario Model Predictive Control for Data-Based Energy Management in Plug-In Hybrid Electric Vehicles	S. East and M. Cannon	2522
Social Profit Optimization With Demand Response Management in Electricity Market: A Multi-Timescale Leader-Following Approach	J. Wang, Y. Pang, and G. Hu	2534
A Discrete-Event System Approach for Modeling and Mitigating Power System Cascading Failures	W. Al-Rousan, C. Wang, and F. Lin	2547
Distributed Secondary Control for Voltage Regulation and Optimal Power Sharing in DC Microgrids	Y. Dou, M. Chi, Z.-W. Liu, G. Wen, and Q. Sun	2561
Dynamic Probabilistic Predictable Feature Analysis for Multivariate Temporal Process Monitoring	W. Fan, Q. Zhu, S. Ren, L. Zhang, and F. Si	2573
A Control Theoretical Adaptive Human Pilot Model: Theory and Experimental Validation	S. S. Tohidi and Y. Yildiz	2585
Adaptive Control of Wire-Borne Underactuated Brachiating Robots Using Control Lyapunov and Barrier Functions	S. Farzan, V. Azimi, A.-P. Hu, and J. Rogers	2598
Dynamically Computing Adversarial Perturbations for Recurrent Neural Networks	S. A. Deka, D. M. Stipanović, and C. J. Tomlin	2615
A Guidance and Maneuvering Control System Design With Anti-Collision Using Stream Functions With Vortex Flows for Autonomous Marine Vessels	H. Zhou, Z. Ren, M. Marley, and R. Skjetne	2630
A Memory Efficient FPGA Implementation of Offset-Free Explicit Model Predictive Controller	C. Jugade, D. Ingoles, D. N. Sonawane, M. Kvasnica, and J. Gustafson	2646
Modeling and Sliding-Mode Control for Launch and Recovery System in Predictable Sea States With Feasibility Check for Collision Avoidance	Y. Zhang, C. Edwards, M. Belmont, and G. Li	2658
<hr/> BRIEF PAPERS		
Automated 3-D Electromagnetic Manipulation of Microrobot With a Path Planner and a Cascaded Controller	D. Dong, L. Xing, L. Zheng, Y. Jia, and D. Sun	2672
Modeling and Estimation of Self-Phoretic Magnetic Janus Microrobot With Uncontrollable Inputs	D. Folio and A. Ferreira	2681
Sliding-Mode Boundary Control of an In-Line Heating System Governed by Coupled PDE/ODE Dynamics	S. Koch, A. Pilloni, A. Pisano, and E. Usai	2689
A Constructive Procedure for Orbital Stabilization of a Class of Underactuated Mechanical Systems	J. G. Romero, I. Gandarilla, V. Santibáñez, and B. Yi	2698
Rendezvous of Nonholonomic Robots via Output-Feedback Control Under Time-Varying Delays	E. Nuño, A. Loría, E. Panteley, and E. Restrepo	2707
A Small Opening Workspace Control Strategy for Redundant Manipulator Based on RCM Method	K. Guo, H. Su, and C. Yang	2717
Synthetic Stochastic Motion Platform for Testing Single Particle Tracking Microscopes	N. A. Vickers and S. B. Andersson	2726
Frequency Response Data-Based LPV Controller Synthesis Applied to a Control Moment Gyroscope	T. Bloemers, T. Oomen, and R. Tóth	2734
On Biased Harmonic Signal Estimation: Application to Electric Power Grid Monitoring	H. Ahmed, R. Ushirobira, and D. Efimov	2743
Safety-Augmented Operation of Mobile Robots Using Variable Structure Control	A. Ghaffari and S. A. H. Dastja	2751
Optimal Control of Active Cell Balancing: Extending the Range and Useful Lifetime of a Battery Pack	F. S. J. Hoekstra, H. J. Bergveld, and M. C. F. Donkers	2759
Flexible-Time Receding Horizon Iterative Learning Control With Application to Marine Hydrokinetic Energy Systems	M. Cobb, J. Reed, M. Wu, K. D. Mishra, K. Barton, and C. Vermillion	2767

IEEE

CONTROL SYSTEMS LETTERS

A PUBLICATION OF THE IEEE CONTROL SYSTEMS SOCIETY



2022

VOLUME 6

NUMBER 10 (PAPERS from 496 to 540)

PAPERS

- Stability Conditions for Remote State Estimation of Multiple Systems Over Semi-Markov Fading Channels, *W. Liu, D. E. Quevedo, B. Vucetic and Y. Li* pp. 2954-2959
- Towards Proactive Moderation of Malicious Content via Bot Detection in Fringe Social Networks, *C. Ravazzi, F. Malandrino and F. Dabbene* pp. 2960-2965
- Direct Data-Driven Tuning of Look-Up Tables for Feedback Control Systems, *S. Yahagi and I. Kajiwara*..... pp. 2966-2971
- On Distributed Nash Equilibrium Seeking in a Class of Contractive Population Games, *J. Martinez-Piazuelo, C. Ocampo-Martinez and N. Quijano* pp. 2972-2977
- Data-Driven Nonlinear Model Reduction Using Koopman Theory: Integrated Control Form and NMPC Case Study, *J. C. Schulze and A. Mitsos* pp. 2978-2983
- Fair and Sparse Solutions in Network-Decentralized Flow Control, *F. Blanchini, C. A. Devia, G. Giordano, R. Pesenti and F. Rosset* pp. 2984-2989
- Designing Safety Certificates for H^∞ Control of Unknown Linear Systems, *P. Tooranjipour and B. Kiumarsi*..... pp. 2990-2995
- Dynamic Programming Through the Lens of Semismooth Newton-Type Methods, *M. Gargiani, A. Zanelli, D. Liao-McPherson, T. H. Summers and J. Lygeros* pp. 2996-3001
- Continuous-Discrete Time Observer Design for Multi-Output Linear Continuous Systems With Aperiodic Asynchronous Measurements, *G. Landicheckf, T. Ménard, O. Gehan and E. Pigeon* pp. 3002-3007
- H^∞ -Optimal Interval Observer Synthesis for Uncertain Nonlinear Dynamical Systems via Mixed-Monotone Decompositions, *M. Khajenejad and S. Z. Yong* pp. 3008-3013
- Dynamic Consensus With Prescribed Convergence Time for Multileader Formation Tracking, *R. Aldana-López, D. Gómez-Gutiérrez, R. Aragüés and C. Sagüés*..... pp. 3014-3019
- Fast Stochastic MPC Implementation via Policy Learning, *M. Mammarella, A. Altamimi, M. Chamanbaz, F. Dabbene and C. Lagoa*..... pp. 3020-3025
- H^∞ Control With Nearly Symmetric State Matrix, *E. Vladu and A. Rantzer*..... pp. 3026-3031
- Encrypted Cloud-Based Set-Theoretic Model Predictive Control, *A. M. Naseri, W. Lucia and A. Youssef*..... pp. 3032-3037
- On Local/Global Constructibility for Mobile Robots Using Bounded Range Measurements, *F. Riz, L. Palopoli and D. Fontanelli*..... pp. 3038-3043
- A Universal Decomposition for Distributed Optimization Algorithms, *B. Van Scoy and L. Lessard*..... pp. 3044-3049
- Markovian Decentralized Ensemble Control for Demand Response, *G. Peng, R. Mieth, D. Deka and Y. Dvorkin*..... pp. 3050-3055
- Learning Constant-Gain Stabilizing Controllers for Frequency Regulation Under Variable Inertia, *P. Srivastava, P. Hidalgo-Gonzalez and J. Cortés* pp. 3056-3061

Nonlinear Proportional-Integral Disturbance Observers for Motion Control of Permanent Magnet Synchronous Motors, <i>Y. W. Jeong and C. C. Chung</i>	pp. 3062-3067
Reachability Analysis of Neural Networks Using Mixed Monotonicity, <i>P. -J. Meyer</i>	pp. 3068-3073
An Optimal Battery Sizing Co-Design Approach for Electric Racing Cars, <i>G. Riva, S. Radrizzani, G. Panzani, M. Corno and S. M. Savaresi</i>	pp. 3074-3079
A Convex Duality Approach for Assigning Probability Distributions to the State of Nonlinear Stochastic Systems, <i>A. Pakniyat</i>	pp. 3080-3085
Performance Analysis of Least Squares of Continuous-Time Model Based on Sampling Data, <i>X. Zhu, D. Gan and Z. Liu</i>	pp. 3086-3091
Data-Driven Optimal Control of Affine Systems: A Linear Programming Perspective, <i>A. Martinelli, M. Gargiani, M. Draskovic and J. Lygeros</i>	pp. 3092-3097
Constrained Continuous-Time Dynamics for Linear Model Predictive Control, <i>A. A. Adegbege</i> .	pp. 3098-3103
Output-Feedback Design of Longitudinal Platooning With Adaptive Disturbance Decoupling, <i>D. Liu, B. Besselink, S. Baldi, W. Yu and H. L. Trentelman</i>	pp. 3104-3109
NOSNOC: A Software Package for Numerical Optimal Control of Nonsmooth Systems, <i>A. Nurkanović and M. Diehl</i>	pp. 3110-3115
Stabilization of Unstable Distributed Port-Hamiltonian Systems in Scattering Form, <i>A. Macchelli, Y. Le Gorrec and H. Ramírez</i>	pp. 3116-3121
Distributed Control of α -Heterogeneous String Interconnected Systems, <i>S. Heinke and H. Werner</i>	pp. 3122-3127
Probabilistically Robust Stabilizing Allocations in Uncertain Coalitional Games, <i>G. Pantazis, F. Fabiani, F. Fele and K. Margellos</i>	pp. 3128-3133
On the Design of a PID Bio-Controller With Set Point Weighting and Filtered Derivative Action, <i>E. Alexis, L. Cardelli and A. Papachristodoulou</i>	pp. 3134-3139
Neural Network-Based Practical/Ideal Integral Sliding Mode Control, <i>N. Sacchi, G. P. Incremona and A. Ferrara</i>	pp. 3140-3145
Trajectory Tracking for Discrete-Time Port-Hamiltonian Systems, <i>A. Macchelli</i>	pp. 3146-3151
Neural ODE Control for Trajectory Approximation of Continuity Equation, <i>K. Elamvazhuthi, B. Gharesifard, A. L. Bertozzi and S. Osher</i>	pp. 3152-3157
Static Linear Anti-Windup Design With Sign-Indefinite Quadratic Forms, <i>A. Priuli, S. Tarbouriech and L. Zaccarian</i>	pp. 3158-3163
On Asymptotic Stability of Leader–Follower Multiagent Systems Under Transient Constraints, <i>E. Restrepo and D. V. Dimarogonas</i>	pp. 3164-3169
Extended Differential Balancing for Nonlinear Dynamical Systems, <i>A. Sarkar and J. M. A. Scherpen</i>	pp. 3170-3175
Backstepping Tracking Control Using Gaussian Processes With Event-Triggered Online Learning, <i>J. Jiao, A. Capone and S. Hirche</i>	pp. 3176-3181
Continuous Optimization for Control of Hybrid Systems With Hysteresis via Time-Freezing, <i>A. Nurkanović and M. Diehl</i>	pp. 3182-3187
On Solvability of Dissipative Partial Differential-Algebraic Equations, <i>B. Jacob and K. Morris</i>	pp. 3188-3193
Quantized Sampled-Data Attitude Control of Ground Vehicles: An Event-Based Approach, <i>A. Borri, M. D. Ferdinando, D. Bianchi, P. Pepe and S. Di Gennaro</i>	pp. 3194-3199
A Pole Placement-Based Output Tracking Control Scheme by Finite-and-Quantized Output Feedback, <i>Y. Xu, Y. Zhang and J. -F. Zhang</i>	pp. 3200-3205
Control of Dynamic Financial Networks, <i>G. C. Calafiore, G. Fracastoro and A. V. Proskurnikov</i> .	pp. 3206-3211
Learning Linear Feedback Controllers for Suppressing the Vortex-Shedding Flow Past a Cylinder, <i>W. Jussiau, C. Leclercq, F. Demourant and P. Apkarian</i>	pp. 3212-3217
Distributed Algorithms for Mobile Agent Deployment on a Line Segment Under Switching Topology and Communication Delays, <i>A. Aleksandrov and N. Andriyanova</i>	pp. 3218-3223

UPCOMING CONFERENCES



Conference on Decision and Control CDC 2022

December 6–9, Cancun, Mexico

Initial Paper to L-CSS with CDC option

March 21, 2022 (Passed)

Invited Session Proposals

March 24, 2022 (Passed)

Initial Paper Submission

March 31, 2022 (Passed)

Workshop Proposals

May 16, 2022 (Passed)

Decision Notification

Mid-July, 2022

Final Submission

September 14, 2022 (Passed)

<https://cdc2022.ieeecss.org/>



American Control Conference **ACC 2023**

May 31 – June 2, San Diego, CA, USA

LCSS Option Submission

~~September 9, 2022 (Passed)~~

Manuscript Submission

~~October 3, 2022 (Passed)~~

Acceptance/Rejection Notice

January 22, 2023

Final Manuscript Submission

March 13, 2023

<https://acc2023.a2c2.org/>



Conference on
Control Technology and Applications
CCTA 2023

August 23–25, Bridgetown, Barbados

Paper Submission Opens:

November 4, 2022

Paper Submission Due:

January 31, 2023

Decision Notification:

April 21, 2023

Registration Opens:

Middle of May, 2023

Final Submissions:

Middle of June, 2023

<https://ieeeccta.org/>



Conference on Decision and Control **CDC 2023**

December 13–15, Singapore

Initial Paper to L-CSS with CDC option

March 3, 2023

Invited Session Proposals

March 10, 2023

Initial Paper Submission

March 17, 2023

Workshop Proposals

May 1, 2023

Decision Notification

Mid-July, 2023

Final Submission

September 10, 2023

<https://cdc2023.ieeeccs.org/>