

# PUBLICATIONS CONTENT DIGEST



## CSS Publications Activities

### Vice-President

IOANNIS PASCHALIDIS *Boston University*

<http://ieeecss.org/publications>

### Journal Editors

#### IEEE Transactions on Automatic Control

ALESSANDRO ASTOLFI *Imperial College London and University of Rome "Tor Vergata"*

<http://ieeecss.org/publication/transactions-automatic-control>

#### IEEE Transactions on Control Systems Technology

ANDREA SERRANI *Ohio State University*

<http://ieeecss.org/publication/transactions-control-systems-technology>

#### IEEE Transactions on Control of Network Systems

JEFF SHAMMA *University of Illinois at Urbana-Champaign*

ANNA SCAGLIONE Deputy Editor-in-Chief *Arizona State University*

<http://ieeecss.org/publication/transactions-control-network-systems>

#### IEEE Control Systems Letters

MARIA ELENA VALCHER *University of Padua*

<http://ieeecss.org/publication/control-systems-letters>

#### IEEE Control Systems Magazine

RODOLPHE SEPULCHRE *University of Cambridge*

<http://ieeecss.org/publication/ieee-control-systems-magazine>

#### IEEE Open Journal of Control Systems

SONIA MARTINEZ *University of California, San Diego*

<http://ieeecss.org/publication/open-journal-control-systems>

### Electronics Editors

#### CSS State-Space Forum

FABIO PASQUALETTI *University of California, Riverside*

ANKUSH CHAKRABARTY *Mitsubishi Electric Research Laboratories*

<https://state-space.ieeecss.org>

**\*Submission and editorial instructions can be found on each publication's homepage**

# IEEE TRANSACTIONS ON AUTOMATIC CONTROL

A PUBLICATION OF THE IEEE CONTROL SYSTEMS SOCIETY



DECEMBER 2022

VOLUME 67

NUMBER 12

IETAA9

(ISSN 0018-9286)

REGULAR PAPERS

Optimal Steady-State Disturbance Compensation for Constrained Linear Systems: The Gaussian Noise Case .....	6322
..... <i>A. Falsone, L. Deori, D. Ioli, S. Garatti, and M. Prandini</i>	
Convex Optimization for Parameter Synthesis in MDPs .....	6333
..... <i>M. Cubuktepe, N. Jansen, S. Junges, J.-P. Katoen, and U. Topcu</i>	
Distributed State Estimation Over Time-Varying Graphs: Exploiting the Age-of-Information .....	6349
..... <i>A. Mitra, J. A. Richards, S. Bagchi, and S. Sundaram</i>	
Optimal Targeting in Super-Modular Games .....	6366
..... <i>G. Como, S. Durand, and F. Fagnani</i>	
Gradient Approximation and Multivariable Derivative-Free Optimization Based on Noncommutative Maps .....	6381
..... <i>J. Feiling, M.-A. Belabbas, and C. Ebenbauer</i>	
Attack Identification for Nonlinear Systems Based on Sparse Optimization .....	6397
..... <i>S. Braun, S. Albrecht, and S. Lucia</i>	
On Regularizability and Its Application to Online Control of Unstable LTI Systems .....	6413
..... <i>S. Talebi, S. Alemzadeh, N. Rahimi, and M. Mesbahi</i>	
Distributed Reinforcement Learning for Decentralized Linear Quadratic Control: A Derivative-Free Policy Optimization Approach .....	6429
..... <i>Y. Li, Y. Tang, R. Zhang, and N. Li</i>	
Distributed Channel Access for Control Over Unknown Memoryless Communication Channels .....	6445
..... <i>T. Farjam, H. Wymeersch, and T. Charalambous</i>	
Prediction With Approximated Gaussian Process Dynamical Models .....	6460
..... <i>T. Beckers and S. Hirche</i>	
Dynamic Programming and a Verification Theorem for the Recursive Stochastic Control Problem of Jump-Diffusion Models With Random Coefficients .....	6474
..... <i>J. Moon and T. Başar</i>	
Second-Order Guarantees of Stochastic Gradient Descent in Nonconvex Optimization .....	6489
..... <i>S. Vlaski and A. H. Sayed</i>	
Stabilization and Optimization of Discrete-Time Markovian Jump Linear Systems via Mode Feedback Control .....	6505
..... <i>J. Zhu, K. Xia, Q. Ling, W. Chen, and G. E. Dullerud</i>	
Risk-Sensitive Safety Analysis Using Conditional Value-at-Risk .....	6521
..... <i>M. P. Chapman, R. Bonalli, K. M. Smith, I. Yang, M. Pavone, and C. J. Tomlin</i>	
Sufficient Conditions for Global Integral Action via Incremental Forwarding for Input-Affine Nonlinear Systems .....	6537
..... <i>M. Giaccagli, D. Astolfi, V. Andrieu, and L. Marconi</i>	
Remote State Estimation With Enhanced Robustness in the Presence of Data Packet Dropouts .....	6552
..... <i>Y. Feng, Y. Tan, G. Gu, and X. Chen</i>	
Opacity Enforcing Supervisory Control Using Nondeterministic Supervisors .....	6567
..... <i>Y. Xie, X. Yin, and S. Li</i>	
Communication-Efficient Variance-Reduced Decentralized Stochastic Optimization Over Time-Varying Directed Graphs .....	6583
..... <i>Y. Chen, A. Hashemi, and H. Vikalo</i>	

(Contents Continued on Page 6321)



---

Disturbance Rejection MPC Framework for Input-Affine Nonlinear Systems . . . . .	<i>H. Xie, L. Dai, Y. Lu, and Y. Xia</i>	6595
MPC Trajectory Feasibility Constraints for Self-Powered Control Systems . . . . .	<i>A. Kody and J. Scruggs</i>	6611
Unified Multirate Control: From Low-Level Actuation to High-Level Planning . . . . .	<i>U. Rosolia, A. Singletary, and A. D. Ames</i>	6627
Optimal Actuator Design via Brunovsky's Normal Form . . . . .	<i>B. Geshkovski and E. Zuazua</i>	6641
Stabilizing Output-Feedback Control Law for Hyperbolic Systems Using a Fredholm Transformation . . . . .	<i>J. Redaud, J. Auriol, and S.-I. Niculescu</i>	6651
Non-Euclidean Contraction Theory for Robust Nonlinear Stability . . . . .	<i>A. Davydov, S. Jafarpour, and F. Bullo</i>	6667
Structure Identifiability of an NDS With LFT Parametrized Subsystems . . . . .	<i>T. Zhou</i>	6682
Optimal Boundary Control of a Nonlinear Reaction Diffusion Equation via Completing the Square and Al'brekht's Method . . . . .	<i>A. J. Krener</i>	6698

---

TECHNICAL NOTES

Contraction Theory for Dynamical Systems on Hilbert Spaces . . . . .	<i>P. Cisneros-Velarde, S. Jafarpour, and F. Bullo</i>	6710
Multivariable Super-Twisting Algorithm for Systems With Uncertain Input Matrix and Perturbations . . . . .	<i>J. A. Moreno, H. Ríos, L. Ovalle, and L. Fridman</i>	6716
Stealthy Integrity Attacks for a Class of Nonlinear Cyber-Physical Systems . . . . .	<i>K. Zhang, C. Keliris, T. Parisini, and M. M. Polycarpou</i>	6723
Network Flows That Solve Sylvester Matrix Equations . . . . .	<i>W. Deng, Y. Hong, B. D. O. Anderson, and G. Shi</i>	6731
Stability Analysis of Switched Linear Systems Under Persistent Dwell-Time Constraints . . . . .	<i>S. Zhuang, X. Yu, J. Qiu, Y. Shi, and H. Gao</i>	6739
State Estimation Under Joint False Data Injection Attacks: Dealing With Constraints and Insecurity . . . . .	<i>W. Xu, Z. Wang, L. Hu, and J. Kurths</i>	6745
Adaptive Backstepping Control of Uncertain Nonlinear Systems With Input and State Quantization . . . . .	<i>W. Wang, J. Zhou, C. Wen, and J. Long</i>	6754
A Note on the Convergence of Distributed RLS . . . . .	<i>Z. Liu and C. Li</i>	6762
Multidirection Gradient Iterative Algorithm: A Unified Framework for Gradient Iterative and Least Squares Algorithms . . . . .	<i>J. Chen, J. Ma, M. Gan, and Q. Zhu</i>	6770
Stealthy Local Covert Attacks on Cyber-Physical Systems . . . . .	<i>D. Mikhaylenko and P. Zhang</i>	6778
Velocity Stabilization of a Wave Equation With a Nonlinear Dynamic Boundary Condition . . . . .	<i>N. Vanspranghe, F. Ferrante, and C. Prieur</i>	6786
Robust Linearly Constrained Kalman Filter for General Mismatched Linear State-Space Models . . . . .	<i>J. Vilà-Valls, E. Chaumette, F. Vincent, and P. Closas</i>	6794
Ellipsoid-Based Interval Estimation for Lipschitz Nonlinear Systems . . . . .	<i>W. Zhang, Z. Wang, T. Raïssi, and Y. Shen</i>	6802
State Quantized Output Feedback Control for Nonlinear Systems via Event-Triggered Sampling . . . . .	<i>W. Liu, Q. Ma, S. Xu, and Z. Zhang</i>	6810
Distributed Nash Equilibrium Seeking Under Input Dead Zone . . . . .	<i>G. Shao, R. Wang, M. Ye, and X.-F. Wang</i>	6818
Linearization-Based Quantized Stabilization of Nonlinear Systems Under DoS Attacks . . . . .	<i>R. Kato, A. Cetinkaya, and H. Ishii</i>	6826
Data-Based Distributed Sensor Scheduling for Multiple Linear Systems With $H_\infty$ Performance Preservation . . . . .	<i>L. An and G.-H. Yang</i>	6834
Probabilistic Interval Predictor Based on Dissimilarity Functions . . . . .	<i>A. D. Carnerero, D. R. Ramirez, and T. Alamo</i>	6842
Distributed Optimal Coordination for Heterogeneous Linear Multiagent Systems . . . . .	<i>L. An and G.-H. Yang</i>	6850
Mixed Social Optima and Nash Equilibrium in Linear-Quadratic-Gaussian Mean-Field System . . . . .	<i>X. Feng, J. Huang, and Z. Qiu</i>	6858
Finite-Time Composite Disturbance Rejection Control for Discrete-Time Markovian Jump Systems . . . . .	<i>J. Zhang, Z.-G. Wu, and Y. Xia</i>	6866
Distributed Model Predictive Control for Tracking: A Coalitional Clustering Approach . . . . .	<i>P. Chanfreut, J. M. Maestre, A. Ferramosca, F. J. Muros, and E. F. Camacho</i>	6873
Geometric Properties of Time-Optimal Controls With State Constraints Using Strong Observability . . . . .	<i>N. T. Woodford and M. W. Harris</i>	6881
Solution to Forward-Backward Stochastic Differential Equations With Random Coefficients and Application to Deterministic Optimal Control . . . . .	<i>H. Li, J. Xu, and H. Zhang</i>	6888
Finite-Memory Supervisory Control of Discrete Event Systems for LTL[ $\mathcal{F}$ ] Specifications . . . . .	<i>A. Sakakibara, N. Urabe, and T. Ushio</i>	6896

---

---

Global Output-Feedback Prescribed Performance Control of Nonlinear Systems With Unknown Virtual Control Coefficients.....	<i>J.-X. Zhang, Q.-G. Wang, and W. Ding</i>	6904
A Multiobservers Approach for a Class of Bidimensional Nonuniformly Observable Systems .....	<i>I. Haidar, J.-P. Barbot, and A. Rapaport</i>	6912
(Integral)ISS of Switched and Time-Varying Impulsive Systems Based on Global State Weak Linearization .....	<i>J. L. Mancilla-Aguilar and H. Haimovich</i>	6918
Finite-Time Distributed Flow Balancing .....	<i>C. N. Hadjicostis, A. D. Domínguez-García, and A. I. Rikos</i>	6926
Observerless Output-Feedback Consensus-Based Formation Control of Second-Order Nonholonomic Systems .....	<i>A. Loría, E. Nuño, and E. Panteley</i>	6934
Novel Criteria of Stochastic Stability for Discrete-Time Markovian Jump Singular Systems via Supermartingale Approach .....	<i>Y. Han and S. Zhou</i>	6940
Entropy Maximization for Partially Observable Markov Decision Processes .....	<i>Y. Savas, M. Hibbard, B. Wu, T. Tanaka, and U. Topcu</i>	6948
Degeneracy-Free Particle Filter: Ensemble Kalman Smoother Multiple Distribution Estimation Filter .....	<i>M. Murata, I. Kawano, and K. Inoue</i>	6956
A Linear Differentiator Based on the Extended Dynamics Approach .....	<i>H. Feng and Y. Qian</i>	6962
Extremum Seeking With Intermittent Measurements: A Lie-Brackets Approach.....	<i>C. Labar, C. Ebenbauer, and L. Marconi</i>	6968
On State-Space Representations of General Discrete-Time Dynamical Systems .....	<i>C. R. Rojas and P. Wachel</i>	6975
Exact Computation of Maximal Invariant Sets for Safe Markov Chains—Lattice Theoretic Approach .....	<i>D. Janak, P.-L. Garoche, and B. Açıkmeşe</i>	6980

---

COMMENTS AND CORRECTIONS

Comments on “Distributed Synthesis of Local Controllers for Networked Systems With Arbitrary Interconnection Topologies” .....	<i>E. Agarwal, S. Sivaranjani, Y. Song, V. Gupta, and P. Antsaklis</i>	6987
--	--	------

---

2022 INDEX .....	Available online at <a href="http://ieeexplore.ieee.org">http://ieeexplore.ieee.org</a>	
------------------	---	--

---

IEEE

# CONTROL SYSTEMS LETTERS

A PUBLICATION OF THE IEEE CONTROL SYSTEMS SOCIETY



2022

VOLUME 6

NUMBER 11 (PAPERS from 541 to 586)

## PAPERS

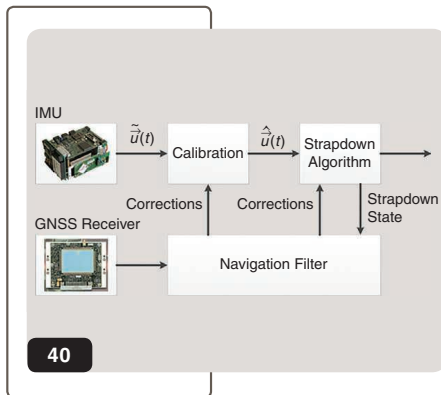
- Using Euler's Method to Prove the Convergence of Neural Networks, *J. Jerray, A. Saoud and L. Fribourg*..... pp. 3224-3228
- Epidemic Population Games With Nonnegligible Disease Death Rate, *J. Certório, N. C. Martins and R. J. La* ..... pp. 3229-3234
- Information Preferences of Individual Agents in Linear-Quadratic-Gaussian Network Games, *F. Sezer and C. Eksin*..... pp. 3235-3240
- Stagewise Newton Method for Dynamic Game Control With Imperfect State Observation, *A. Jordana, B. Hammoud, J. Carpentier and L. Righetti*..... pp. 3241-3246
- A Scenario Approach for Synthesizing k-Inductive Barrier Certificates, *V. Murali, A. Trivedi and M. Zamani*..... pp. 3247-3252
- Finite-Time Output Parameter Estimation for a Class of Nonlinear Systems, *G. Rinaldi, J. E. Machado, M. Cucuzzella, P. P. Menon, A. Ferrara and J. M. A. Scherpen* ..... pp. 3253-3258
- Data-Driven Input Reconstruction and Experimental Validation, *J. Shi, Y. Lian and C. N. Jones* pp. 3259-3264
- Stability and Performance Verification of Dynamical Systems Controlled by Neural Networks: Algorithms and Complexity, *M. Korda* ..... pp. 3265-3270
- Linear-Quadratic Problems of Optimal Control in the Space of Probabilities, *M. Staritsyn, N. Pogodaev and F. L. Pereira*..... pp. 3271-3276
- On Robustification of Sampled-Data Dynamic Output-Feedback Stabilizers for Control-Affine Nonlinear Systems, *M. Di Ferdinando, P. Pepe and S. Di Gennaro* ..... pp. 3277-3282
- Distributed Control of Networked Multi-Agent Systems Using Network Adapted Feedback Guaranteed Cost Equilibrium Controls, *A. Roy and P. V. Reddy*..... pp. 3283-3288
- Modular Computation of Restoration Entropy for Networks of Systems: A Dissipativity Approach, *M. S. Tomar and M. Zamani*..... pp. 3289-3294
- Robust Stabilization of Inverter-Based Resources Using Virtual Resistance-Based Control, *O. M. Anubi and S. Ameli*..... pp. 3295-3300
- Scheduling Delays and Curtailment for Household Appliances With Deterministic Load Profiles Using MPC, *Y. Lian, Y. Jiang, C. N. Jones and D. F. Opila* ..... pp. 3301-3306.
- Computable Convergence Rate Bound for Ratio Consensus Algorithms, *B. Gerencsér*..... pp. 3307-3312
- Computation of Centroidal Voronoi Tessellations in High Dimensional Spaces, *B. Telsang and S. M. Djouadi* ..... pp. 3313-3318
- Suboptimal Control of Unknown Second-Order Nonlinear Systems With Guaranteed Global Convergence, *A. Shakouri and M. R. Emami* ..... pp. 3319-3324
- Distributionally Robust Model Predictive Control With Total Variation Distance, *A. Dixit, M. Ahmadi and J. W. Burdick* ..... pp. 3325-3330

Traffic-Prediction-Based Optimal Control of Electric and Autonomous Buses, <i>C. Pasquale, S. Sacone, S. Siri and A. Ferrara</i> .....	pp. 3331-3336
Energy Cyclo-Directionality, Average Equipartition and Exergy Efficiency of Multidomain Power Networks, <i>H. Richter</i> .....	pp. 3337-3342
A Projection Operator-Based Discrete-Time Adaptive Architecture for Control of Uncertain Dynamical Systems With Actuator Dynamics, <i>K. M. Dogan, A. Kurttisi, T. Yucelen and A. T. Koru</i> .....	pp. 3343-3348
Equilibrium-Independent Stability Analysis for Distribution Systems With Lossy Transmission Lines, <i>W. Cui and B. Zhang</i> .....	pp. 3349-3354
Nonparametric, Nonasymptotic Confidence Bands With Paley-Wiener Kernels for Band-Limited Functions, <i>B. C. Csáji and B. Horváth</i> .....	pp. 3355-3360
Efficient Fault Detection for Discrete-Time PWA Systems, <i>X. Liu, Z. Liu, Z. Wang and O. Stursberg</i> .....	pp. 3361-3366
A Hybrid Sensorless Observer for the Robust Global Asymptotic Flux Reconstruction of Permanent Magnet Synchronous Machines, <i>A. Bosso, A. Tilli and C. Conficoni</i> .....	pp. 3367-3372
Multicellular PI Control for Gene Regulation in Microbial Consortia, <i>V. Martinelli, D. Salzano, D. Fiore and M. di Bernardo</i> .....	pp. 3373-3378
RISE-Based Trajectory Tracking Control of an Aerial Manipulator Under Uncertainty, <i>D. Lee, J. Byun and H. J. Kim</i> .....	pp. 3379-3384
Identifiability and Estimation of Partially Observed Influence Models, <i>L. Zhao and Y. Wan</i> .....	pp. 3385-3390
Toward Scalable Risk Analysis for Stochastic Systems Using Extreme Value Theory, <i>E. Arsenault, Y. Wang and M. P. Chapman</i> .....	pp. 3391-3396
Model-Based Feedforward Control of an Intra- and Interspecific Competitive Population System, <i>A. -C. Kurth, C. Veil and O. Sawodny</i> .....	pp. 3397-3402
Necessary and Sufficient Convex Condition for the Stabilization of Linear Sampled-Data Systems Under Poisson Sampling Process, <i>D. Denardi Huff, M. Fiacchini and J. M. Gomes da Silva</i> .....	pp. 3403-3408
Geometry of Finite-Time Thermodynamic Cycles With Anisotropic Thermal Fluctuations, <i>O. Movilla Miangolarra, A. Taghvaei, Y. Chen and T. T. Georgiou</i> .....	pp. 3409-3414
Privacy-Preserving POMDP Planning via Belief Manipulation, <i>W. Zheng, T. Jung and H. Lin</i> .....	pp. 3415-3420
Data-Driven Abstraction and Model Invalidation for Unknown Systems With Bounded Jacobians, <i>Z. Jin, M. Khajenejad and S. Z. Yong</i> .....	pp. 3421-3426
Diffeomorphically Learning Stable Koopman Operators, <i>P. Bevanda, M. Beier, S. Kerz, A. Lederer, S. Sosnowski and S. Hirche</i> .....	pp. 3427-3432.
On the Role of Coupled Damping and Gyroscopic Forces in the Stability and Performance of Mechanical Systems, <i>P. Borja, C. D. Santina and A. Dabiri</i> .....	pp. 3433-3438
Provably Safe Tolerance Estimation for Robot Arms via Sum-of-Squares Programming, <i>W. Zhao, S. He and C. Liu</i> .....	pp. 3439-3444
Toll Design for Routing Games With Stochastic Demands, <i>Y. Chen and V. Gupta</i> .....	pp. 3445-3450.
Plug-and-Play Network Reconfiguration Algorithms to Maintain Regularity and Low Network Reconfiguration Needs, <i>S. Stüdli, Y. Yan, M. M. Seron and R. H. Middleton</i> .....	pp. 3451-3456
Robust Passivity-Based Control of Underactuated Systems via Neural Approximators and Bayesian Inference, <i>N. A. Ashenafi, W. Sirichotiyakul and A. C. Satici</i> .....	pp. 3457-3462
Switching Transformations for Decentralized Control of Opinion Patterns in Signed Networks: Application to Dynamic Task Allocation, <i>A. Bizyaeva, G. Amorim, M. Santos, A. Franci and N. E. Leonard</i> .....	pp. 3463-3468
Latent State Space Modeling of High-Dimensional Time Series With a Canonical Correlation Objective, <i>J. Yu and S. J. Qin</i> .....	pp. 3469-3474
$L_1$ -Robust Interval Observer Design for Uncertain Nonlinear Dynamical Systems, <i>T. Pati, M. Khajenejad, S. P. Daddala and S. Z. Yong</i> .....	pp. 3475-3480
Distributed Mode Computation in Open Multi-Agent Systems, <i>Z. A. Z. S. Dashti, G. Oliva, C. Seatzu, A. Gasparri and M. Franceschelli</i> .....	pp. 3481-3486

Resilient Dynamic Average-Consensus of Multiagent Systems, *M. Iqbal, Z. Qu and A. Gusrialdi*.....pp. 3487-3492  
Efficient Data Structures for Representation of Polynomial Optimization Problems: Implementation in SOSTOOLS, *D. Jagt, S. Shivakumar, P. Seiler and M. Peet* ..... pp. 3493-3498



» FEATURES



**40 Inertial Measurement Unit Error Modeling Tutorial**

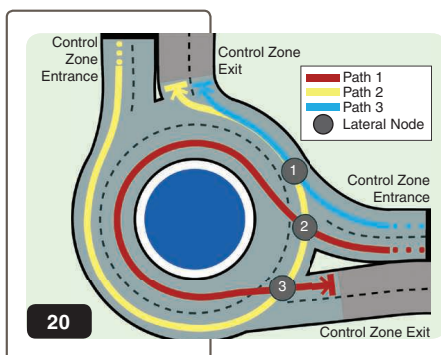
Inertial navigation system state estimation with real-time sensor calibration

JAY A. FARRELL, FELIPE O. SILVA, FARZANA RAHMAN, and JAN WENDEL

Cover credit: Andreas A. Malikopoulos.

Background image licensed by Ingram Publishing.

» DEPARTMENTS



**4 FROM THE EDITOR**

The Art of the State

**5 ABOUT THIS ISSUE**

From Inertial Measurements to Smart Cities

**8 PRESIDENT'S MESSAGE**

Looking Back at a Two-Year Journey

**12 25 YEARS AGO**

Controlling Buildings: A New Frontier in Feedback

**14 TECHNICAL ACTIVITIES**

Technical Committee on Control Education

Technical Committee on Discrete Event Systems

**20 APPLICATIONS OF CONTROL**

A Research and Educational Robotic Testbed for Real-Time Control of Emerging Mobility Systems

**35 PEOPLE IN CONTROL**

Hong Chen

Randy A. Freeman



- 68 BOOKSHELF**  
Interpolatory Methods for Model Reduction
- 70 AWARDS**  
IEEE CSS TC Outstanding Student Paper Prize Winners
- 71 CONFERENCE REPORTS**  
2022 American Control Conference  
IEEE Conference on Control Technology and Applications  
2022 International Conference on Unmanned Aircraft Systems
- 83 CONFERENCE CALENDAR**
- 84 CSS BUSINESS**  
Minutes of the Control Systems Society Board of Governors Meeting June 7, 2022, Zoom in lieu of New Orleans, USA  
IEEE CSS Board of Governors Meeting June 7, 2022

**IEEE PERIODICALS  
MAGAZINES DEPARTMENT**

445 Hoes Lane, Piscataway,  
NJ 08854 USA

*Senior Manager, Journals Production*  
Katie Sullivan

*Senior Journals Production Manager*  
Shannon Campos

*Senior Art Director*  
Janet Dudar

*Associate Art Director*  
Gail A. Schnitzer

*Production Coordinator*  
Theresa L. Smith

*Advertising Production Manager*  
Felicia Spagnoli

*Production Director*  
Peter M. Tuohy

*Director, Business Development –  
Media & Advertising*  
Mark David

*Editorial Services Director*  
Kevin Lisankie

*Senior Director  
Publishing Operations*  
Dawn M. Melley

*IEEE prohibits discrimination, harassment,  
and bullying. For more information, visit  
[https://www.ieee.org/about/corporate/  
governance/p9-26.html](https://www.ieee.org/about/corporate/governance/p9-26.html).*

**MISSION STATEMENT AND SCOPE:** As the official means of communication for the IEEE Control Systems Society, *IEEE Control Systems* publishes interesting, useful, and informative material on all aspects of control system technology for the benefit of control educators, practitioners, and researchers. With this mission statement in mind, *IEEE Control Systems* encourages submissions, both feature articles and columns, on all aspects of control system technology.

**SUBMISSION OF MANUSCRIPTS:** A feature article typically provides an in-depth treatment of either an application of control technology, a tutorial on some area of control theory, or an innovation in control education.

*IEEE Control Systems* publishes a variety of columns. "Applications of Control" columns are industrially oriented summaries of innovations in control technology. "Focus on Education" typically describes some aspect of education such as novel control experiments. "Lecture Notes" can be theoretical in nature as long as they have clear tutorial value and intent. See recent issues for examples of these and other types of columns. Authors are encouraged to contact the editor-in-chief about the suitability of potential columns.

A detailed Author's Guide, a sample formatted manuscript, and LATEX template can be found at <http://ieeecss.org/publication/ieee-control-systems-magazine>. The specifications in this guide should be followed by all submissions.

All manuscripts should be submitted electronically to the *IEEE Control Systems* website, <https://css.paperplaza.net/conferences/scripts/start.pl>, with inquiries on appropriateness of content e-mailed to [r.sepulchre@eng.cam.ac.uk](mailto:r.sepulchre@eng.cam.ac.uk).

**SPECIAL ISSUES:** *IEEE Control Systems* encourages proposals for special issues. Proposers are encouraged to contact the editor-in-chief to discuss potential topics.

**BOOKS AND CONFERENCES:** Submit information about recently published books to the associate editor for book reviews. Submit information about past and future conferences to the corresponding editor for conferences.

**ADVERTISING:** *IEEE Control Systems* accepts advertising for educational products, books, software, conferences, employment, and control-related technology. For information about advertising, contact Mark David, [m.david@ieee.org](mailto:m.david@ieee.org), +1 732 465 6473.

**IEEE CONTROL SYSTEMS—(ISSN 1066-033X) (ISMAD7)** is published bimonthly by The Institute of Electrical and Electronics Engineers, Inc. Headquarters: 3 Park Avenue, 17th Floor, New York, NY 10016, U.S.A. +1 212 419 7900. Responsibility for the contents rests upon the authors and not upon the IEEE, the Society, or its members. To order individual copies for members and nonmembers, please e-mail the IEEE Contact Center at [contactcenter@ieee.org](mailto:contactcenter@ieee.org). Member and nonmember subscription prices available on request. Copyright and Reprint Permissions: Abstracting is permitted with credit to the source. Libraries are permitted to photocopy beyond the limits of the U.S. Copyright law for private use of patrons: 1) those post-1977 articles that carry a code at the bottom of the first page, provided the per-copy fee indicated in the code is paid through the Copyright Clearance Center, 222 Rosewood Drive, Danvers, MA 01970, U.S.A.; and 2) pre-1978 articles without fee. For other copying, reprint, or republication permission, write to: Copyrights and Permissions Department, IEEE Service Center, 445 Hoes Lane, Piscataway NJ 08854, U.S.A. Copyright © 2022 by The Institute of Electrical and Electronics Engineers, Inc. All rights reserved. Periodicals postage paid at New York, NY, and at additional mailing offices. Postmaster: Send address changes to *IEEE Control Systems*, IEEE, 445 Hoes Lane, Piscataway, NJ 08854 U.S.A. Canadian GST #125634188

Printed in U.S.A.

# UPCOMING CONFERENCES



## Conference on Decision and Control CDC 2022

**December 6–9, Cancun, Mexico**

**Initial Paper to L-CSS with CDC option**

March 21, 2022 (Passed)

**Invited Session Proposals**

March 24, 2022 (Passed)

**Initial Paper Submission**

March 31, 2022 (Passed)

**Workshop Proposals**

May 16, 2022 (Passed)

**Decision Notification**

Mid-July, 2022

**Final Submission**

September 14, 2022 (Passed)

<https://cdc2022.ieeecss.org/>



# American Control Conference **ACC 2023**

**May 31 – June 2, San Diego, CA, USA**

**LCSS Option Submission**

~~September 9, 2022 (Passed)~~

**Manuscript Submission**

~~October 3, 2022 (Passed)~~

**Acceptance/Rejection Notice**

January 22, 2023

**Final Manuscript Submission**

March 13, 2023

<https://acc2023.a2c2.org/>



Conference on  
Control Technology and Applications  
**CCTA 2023**

**August 23–25, Bridgetown, Barbados**

**Paper Submission Opens:**

November 4, 2022

**Paper Submission Due:**

January 31, 2023

**Decision Notification:**

April 21, 2023

**Registration Opens:**

Middle of May, 2023

**Final Submissions:**

Middle of June, 2023

<https://ieeeccta.org/>



# Conference on Decision and Control **CDC 2023**

**December 13–15, Singapore**

**Initial Paper to L-CSS with CDC option**

March 3, 2023

**Invited Session Proposals**

March 10, 2023

**Initial Paper Submission**

March 17, 2023

**Workshop Proposals**

May 1, 2023

**Decision Notification**

Mid-July, 2023

**Final Submission**

September 10, 2023

<https://cdc2023.ieeeccs.org/>